



Oxford Series[®] Fixed or Operable Elliptical Louvres



SCREENS

Louvreclad's Oxford Series[®] incorporates streamline design and robust construction to enhance the architectural appearance while providing effective screening for your buildings exterior.

Distinctive Features:

- Ideal for vertical spanning between floors without midsupports
- Ideal for operable screens
- Suitable for vertical or horizontal mounting
- Blades can be mounted at various angles and pitch

Attention to Detail:

- Maximum blade span: 2800mm
- 150mm ellipsoid
- 29mm depth
- Designed, engineered and certified to Australian Standards.



ROBUST AND STYLISH

 **LOUVRECLAD[®]**

Thinking outside for inside performance

DAY DESIGN

PRESSURE DROP TEST CERTIFICATE

Test 4203K-P



Test Specimen:

Oxford Series Louvre

Test Specimen Dimensions:

1800 mm (H) x 1200 mm (W) x 106 mm (D)

Specimen Specifications:

48% Open Area per Module

Blades @ 110 mm Pitch & 45° angle

Throat Height @ 55 mm

Test Location:

Twin Reverberation Rooms

National Acoustic Laboratories

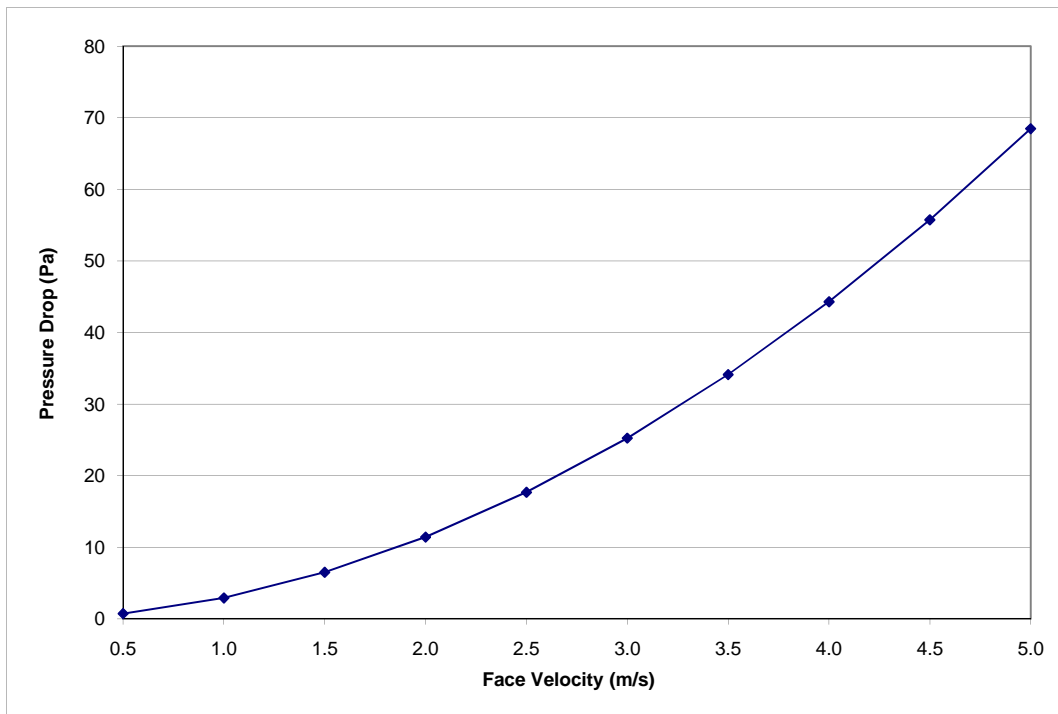
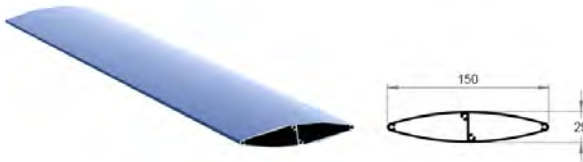
126 Greville Street, Chatswood NSW

Instrumentation:

- Vaisala Digital Barometer (Type PTB201AD)

- Kestrel Anemometer (Model K2000)

Face Velocity (m/s)	Pressure Drop (Pa)
0.5	0.8
1.0	3.0
1.5	6.5
2.0	11.5
2.5	17.7
3.0	25.3
3.5	34.1
4.0	44.3
4.5	55.8
5.0	68.5




Date of Test: Wednesday, 19 August 2009
Project Number: 4203K-P

Test Engineer: Alex Li, BE(Mech) Hons
For and on behalf of Day Design Pty Ltd

DRAFT SPECIFICATION

Screens will be Louvreclad Oxford Series®. Blades will be _____
[Operable/Fixed] if fixed [state pitch] mm pitch at [state angle]° angle.

Base Material & Finish

Screens will be manufactured in [powder coated/anodised] aluminium finish in [state colour]

Operation Method (if applicable)

The operation method will be [Electric Motor/Manual winder/other - choose method]

Control System (if applicable)

Automated Control will be by [specify sensors and control system]

Accessories (if applicable)

Screens will be fitted with [nominate options/accessories from the selection].

Installation and Mounting

Installation and mounting details will be designed in accordance with proprietary systems and recommendations as designed and manufactured by Louvreclad Pty. Ltd. Phone: 1300 165 678 Email: sales@louvreclad.com

Base Material Options

- Extruded Aluminium

Finishes Available

Choose from the following range of finishes:

- complete powder coated range
- complete anodised range

Specialised coatings are also available on request.

Operating Options

If specifying operable screens please nominate the operating system from the following:

- remote winder control
- electric actuator

Accessories

Rain sensors: Screens can automatically close against rain.

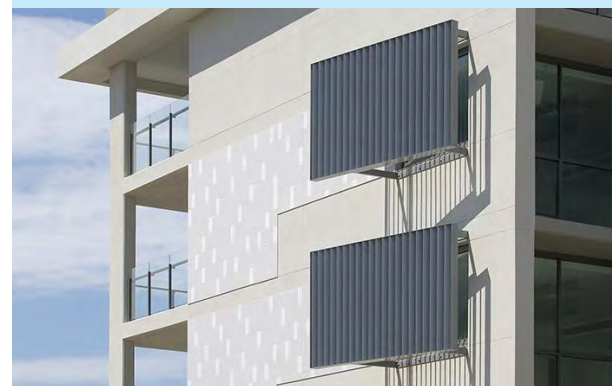
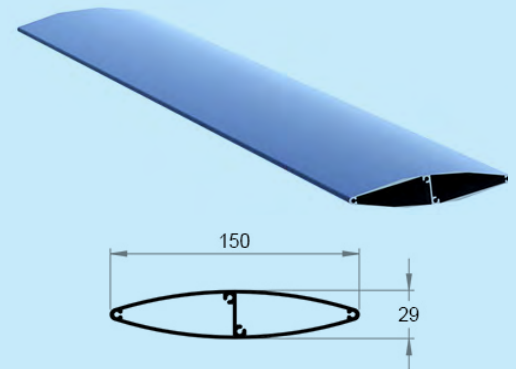
Light sensors: Optional sensor controls can be set to automatically tilt the Louvreclad screen blades to shield the building's interior from glare or direct sunlight.

Wind sensors: Wind sensors will provide additional flexibility in response to shifting weather patterns and wind gusts.

Temperature sensors: Screen controls can be set to respond to ambient interior temperatures and adjust angle and tilt to shade the interior or admit more warming sunlight.

Timers: Pre-set opening, closing and tilting configurations.

PROFILES





i WOULD YOU LIKE TO KNOW MORE?

If you have any questions about this product, or if you would like to speak to a member of our expert team about how we can tailor a solution for you, call: **1300 165 678** or visit: **louvreclad.com**