



Varsity Series[®] Two Stage Louvres



Louvreclad's Varsity Series[®] is of precision sheet metal construction and provides efficient ventilation for buildings and structures.

Distinctive Features:

- Effective weatherproofing characteristics
- Finish in either Colorbond[®] or Zinalume[®] steel

Attention to Detail:

- Louvre material is 0.55 base metal thickness
- 125mm blade pitch (first stage)
- 62.5mm blade pitch (second stage)
- 41% free open area
- Maximum blade span: 1500mm
- Max blade length: 7200mm
- Maximum side channel length: 4000mm



WEATHERPROOF

Performance tested to AS/NZS 4740:2000



Rain Defence: Standard: Class 3 | Two stage: Class A

Aerodynamics: Standard: Class 2 | Two stage: Class 3

Note: Full CFD report available on request.

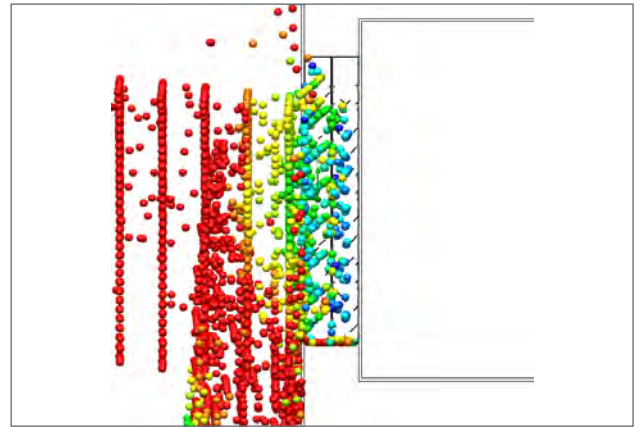
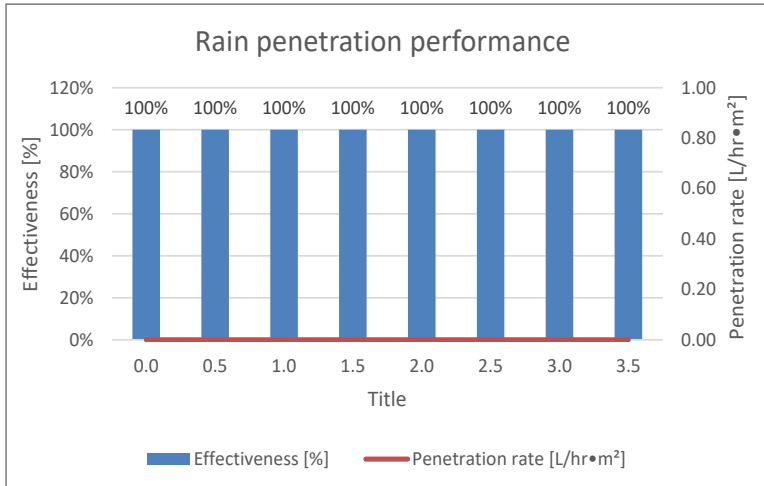


visit louvreciad.com phone 1300 165 678

PERFORMANCE DATA

Louvreclad's Varsity Series[®] 2 Stage louvre is designed to be specified where good air flow and maximum rain defence is required.

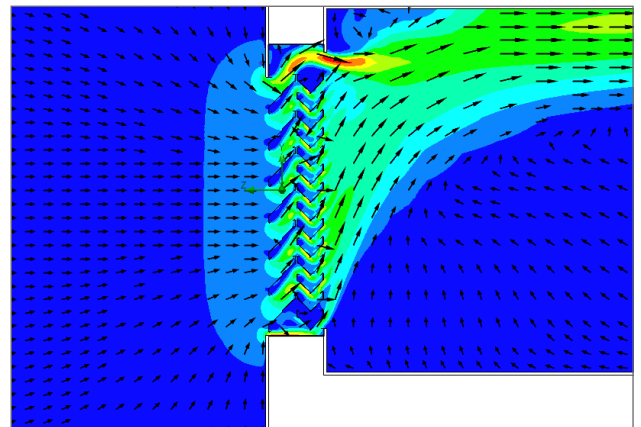
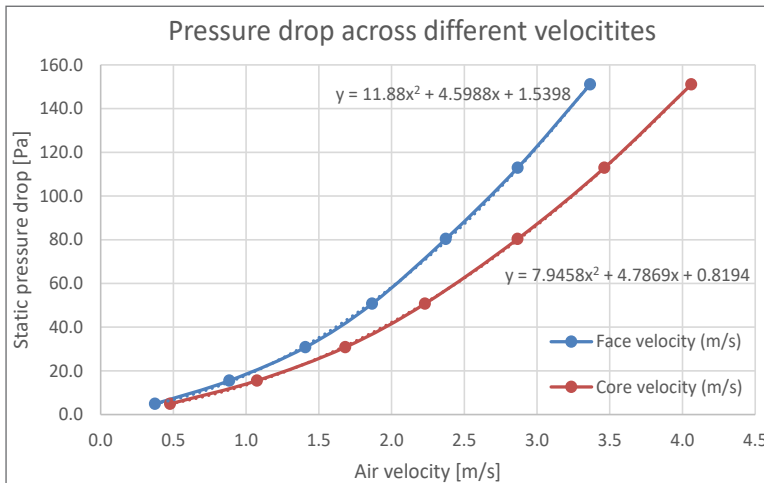
The Varsity Series[®] 2 Stage louvre is a roll formed 62.5mm pitch louvre which provides good air flow, zero vision and Class A 100% rain defence. Available in Colorbond or Zinalum, this roll formed louvre profile has been designed to be integrated seamlessly with Varsity Series single stage and provide rain defence where needed.



Rain penetration

Rain Defence tested to AS/NZS 4740:2000

Rain penetration analysis is tested to AS/NZS 4740:2000 and was conducted at a constant rain flow rate with ventilation rates ranging from 0.5m³/s to 3.5 m³/s. The results concluded that the Venus Series[®] average rain penetration effectiveness at core velocities from 0 to 3.5m/s was 100% effective achieving a Class A rating.



Velocity vectors

Aerodynamics tested to AS/NZS 4740:2000

This aerodynamics and discharge coefficient analysis was conducted to AS/NZS 4740:2000 with the ventilation rate ranging from 0.4m³/s to 3.4m³/s. Venus Series[®] chevron louvre performance resulted in an average discharge coefficient of 0.482 and the effective aerodynamic area was 0.19m² with Class 3 performance rating.

DRAFT SPECIFICATION

Louvres will be Louvreclad Varsity Series[®] 2 Stage.
Performance tested to AS/NZS 4740:2000, the Varsity Series[®] 62.5 pitch roll formed 2 Stage louvre achieves a Class A for rain defence and Class 3 for Aerodynamics at velocities from 0.5-3.5m/s, and 42% free open area.

Base Material & Finish

Louvres will be manufactured in 0.55mm thick [select base material] finish in [select colour].

Accessories

Louvres will be fitted with [nominate options/accessories from the selection].

Installation and Mounting

Installation and mounting details will be designed in accordance with proprietary systems and recommendations as designed and manufactured by Louvreclad Pty. Ltd. Phone: 1300 165 678 Email: sales@louvreclad.com

Base Material Options

- Zinalume[®]
- Colorbond[®]

Finishes Available

Choose from the following range of finishes:

- complete Colorbond[®] range
- Specialised coatings are also available on request

Please note: Single sided Colorbond finish only.

Accessories

Bird/Vermin Mesh

Select from the following:

- galvanised
- stainless steel

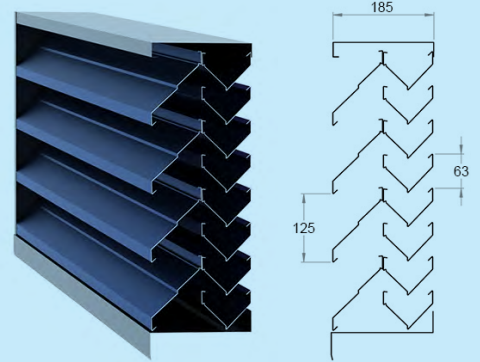
Insect Mesh

Select from the following:

- aluminium
- fibreglass
- stainless steel

PROFILES

Varsity Series[®] two-stage louvre



EARLY CONTRACTOR INVOLVEMENT

Early Contractor Involvement (ECI) can save money, save time and ensure the best outcome. Get in touch with one of our experts at design stage and ensure the success of your project. Whether it is a highly bespoke & complex brief that requires testing & prototyping or a simple design needing clarification around detailing, to achieve a high-end premium finish, attention-to-detail is essential.



i WOULD YOU LIKE TO KNOW MORE?

If you have any questions about this product, or if you would like to speak to a member of our expert team about how we can tailor a solution for you, call: **1300 165 678** or visit: **louvreciad.com**